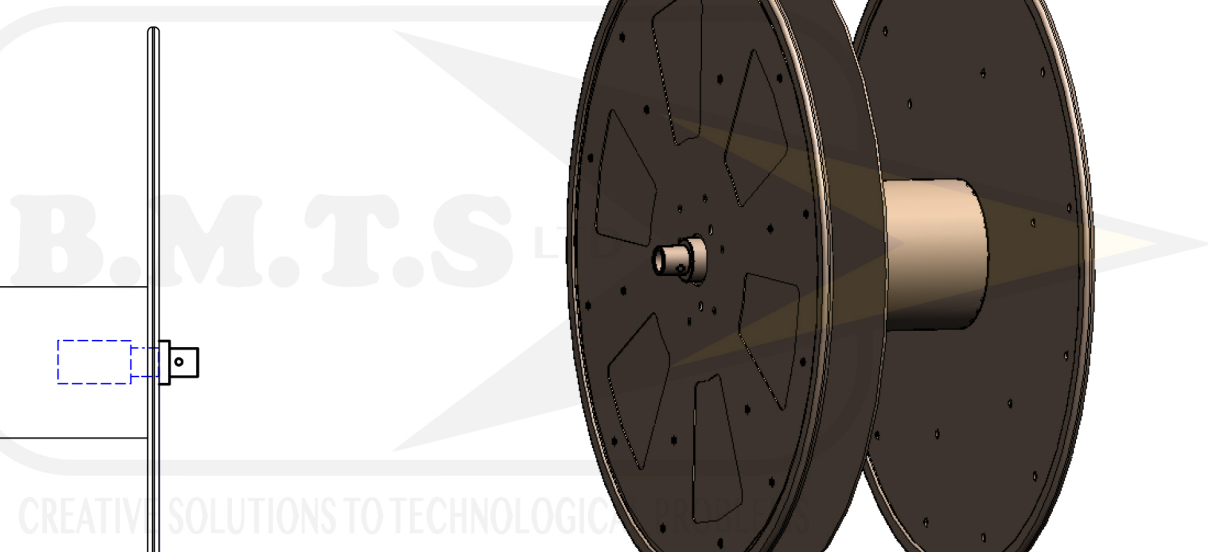
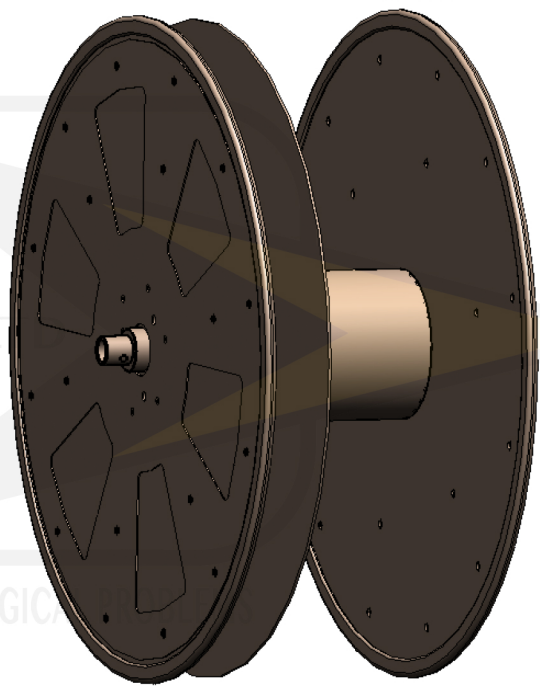
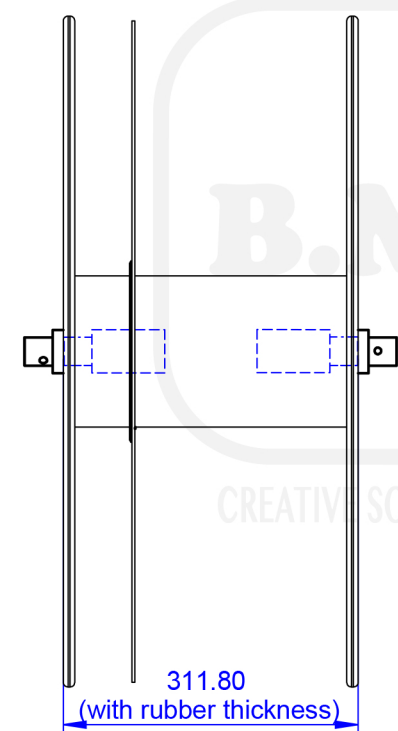
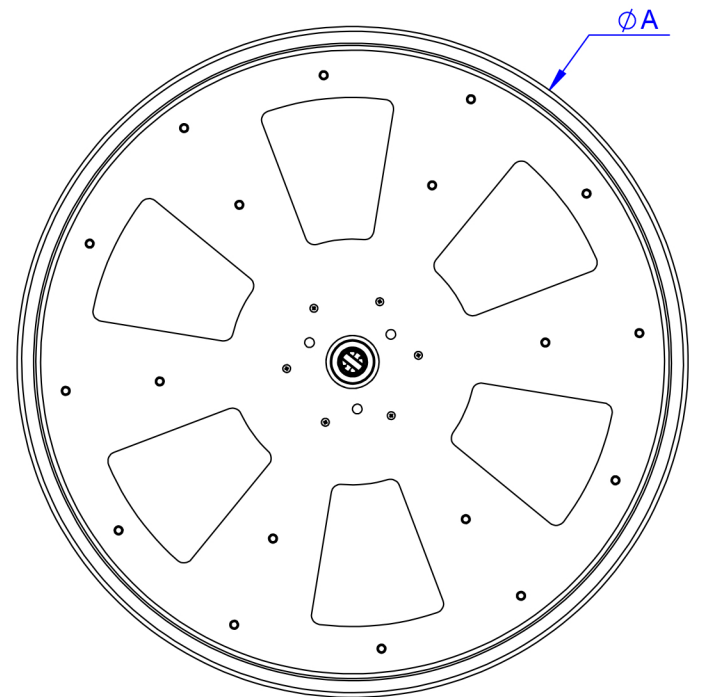
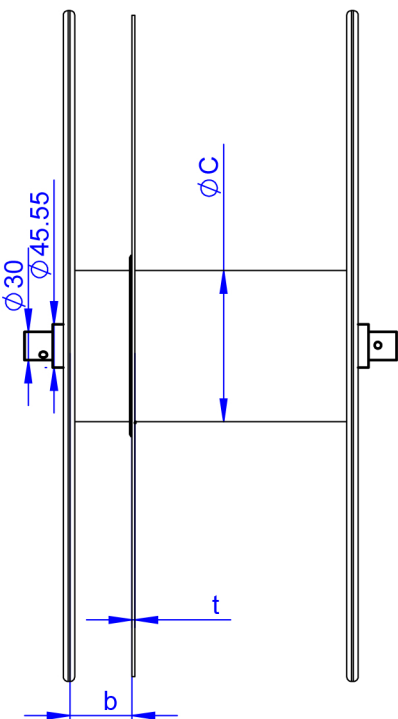


FIBER OPTIC REEL-DOUBLE FLANGE



Paint: Polyester epoxy

* Width of connector department (b) can vary on demand

** Weight includes textile accessories

B.M.T.S LTD
+972 3 - 6827796
fottads@bmtsltd.com
14 HaThiya St.
TEL - AVIV

Product P/N	Diameter A	Diameter C	Internal Flange Thickness t	External Flange Thickness s	*b	Weight	Cable Capacity [m]	Connector Strap (Qty.2)	Lifting & Protecting Blanket
	[mm]	[mm]	[mm]	[mm]	[mm]	[kg]	Straight Lay	P/N	P/N
1667-820-850-160-65-4.6	850	160	3	4.6	65	20.17	see file "calculation reel.exe"	1257-100-1370	1257-500-2900
1667-820-850-400-40-4	850	400	4	4	40	19.3	see file "calculation reel.exe"	1257-100-1370	1257-500-2900
1667-820-700-160-65-4.6	710	160	3	4.6	65	15.1	see file "calculation reel.exe"	1257-100-1370	1257-500-2350
1667-820-530-160-XX-4.6	530	160	3	4.6	XX	10.1	see file "calculation reel.exe"	1257-100-1370	1257-500-1880