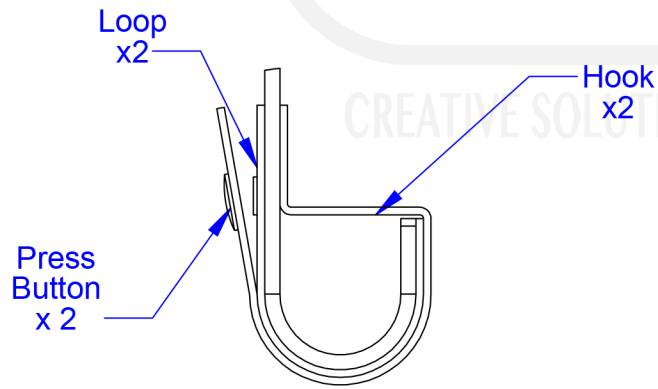
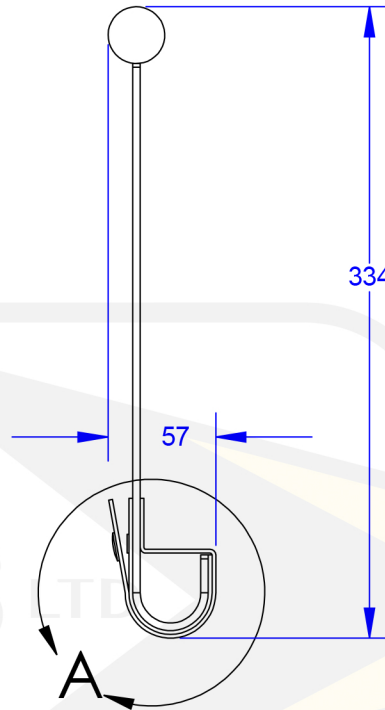
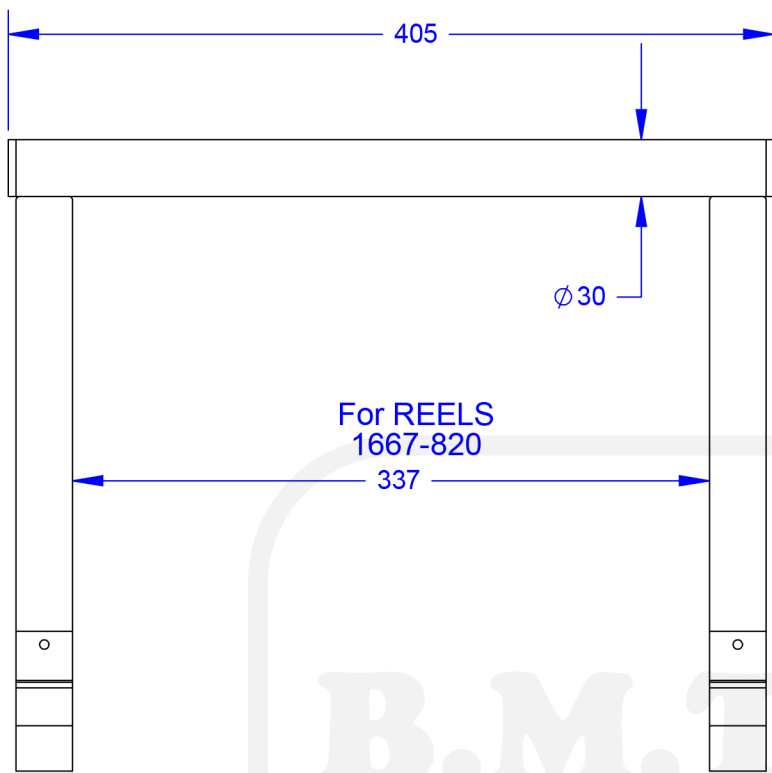


Deploying Handle



DETAIL A
SCALE 1 : 2

B.M.T.S LTD
+972 3 - 6827796
fottads@bmtsltd.com
14 HaThiya St.
TEL - AVIV

Paint: Polyester epoxy

Deploying Handle	P/N 1257-290-460
Main Material	Aluminium
Weight	0.58 kg
Max REEL Diameter	460 mm

