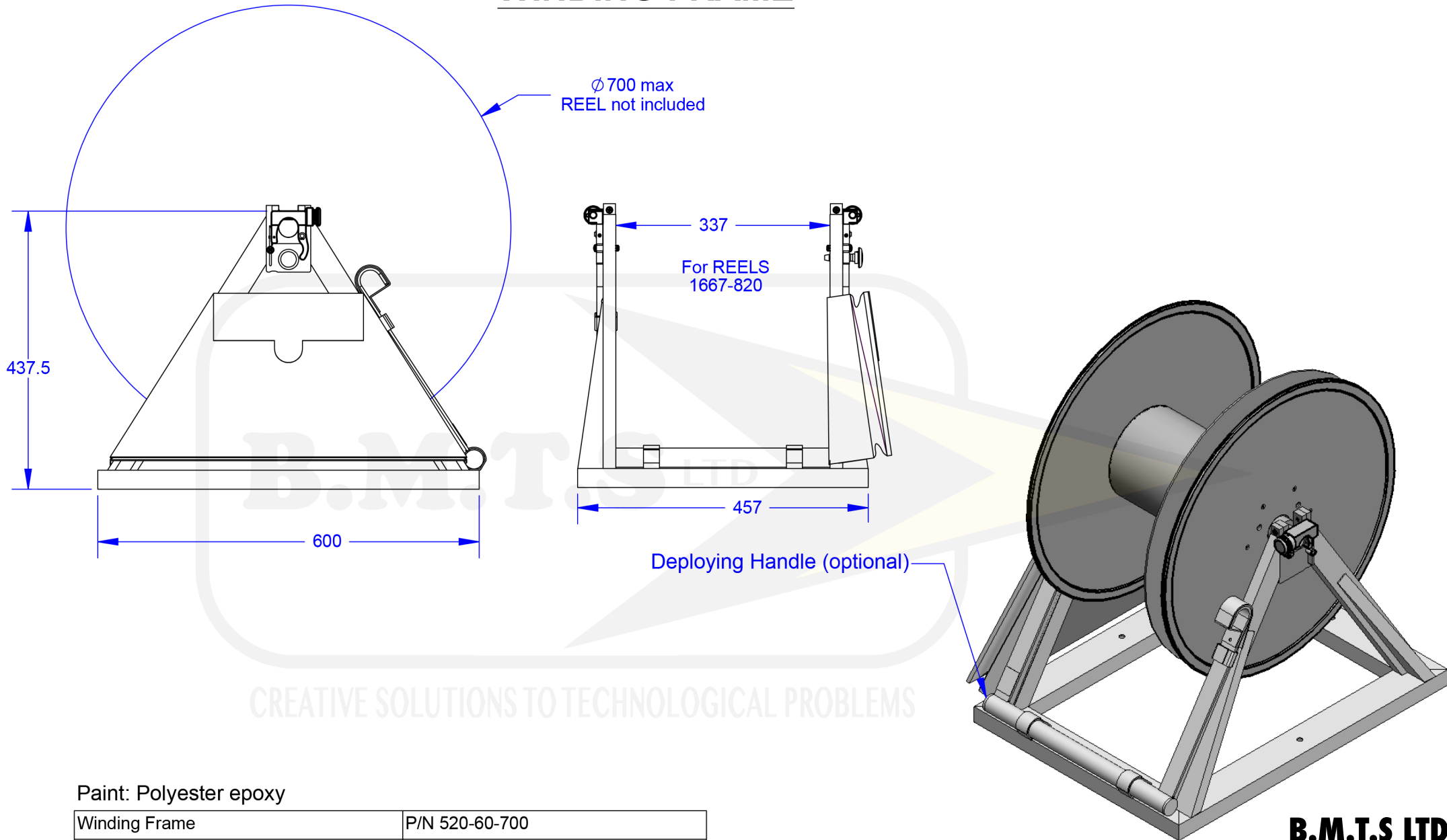


# WINDING FRAME



CREATIVE SOLUTIONS TO TECHNOLOGICAL PROBLEMS

Paint: Polyester epoxy

Winding Frame	P/N 520-60-700
Deploying Handle (optional)	P/N 1257-290-510
Deploying Handle (optional)	P/N 1257-290-460
Cranked Handle (optional)	P/N 611-00 or 611-00-10 or 611-00-30
Main Material	Aluminium
Weight (without Reel)	4.78 kg

**B.M.T.S LTD**  
**+972 3 - 6827796**  
**fottads@bmtsltd.com**  
**14 HaThiya St.**  
**TEL - AVIV**