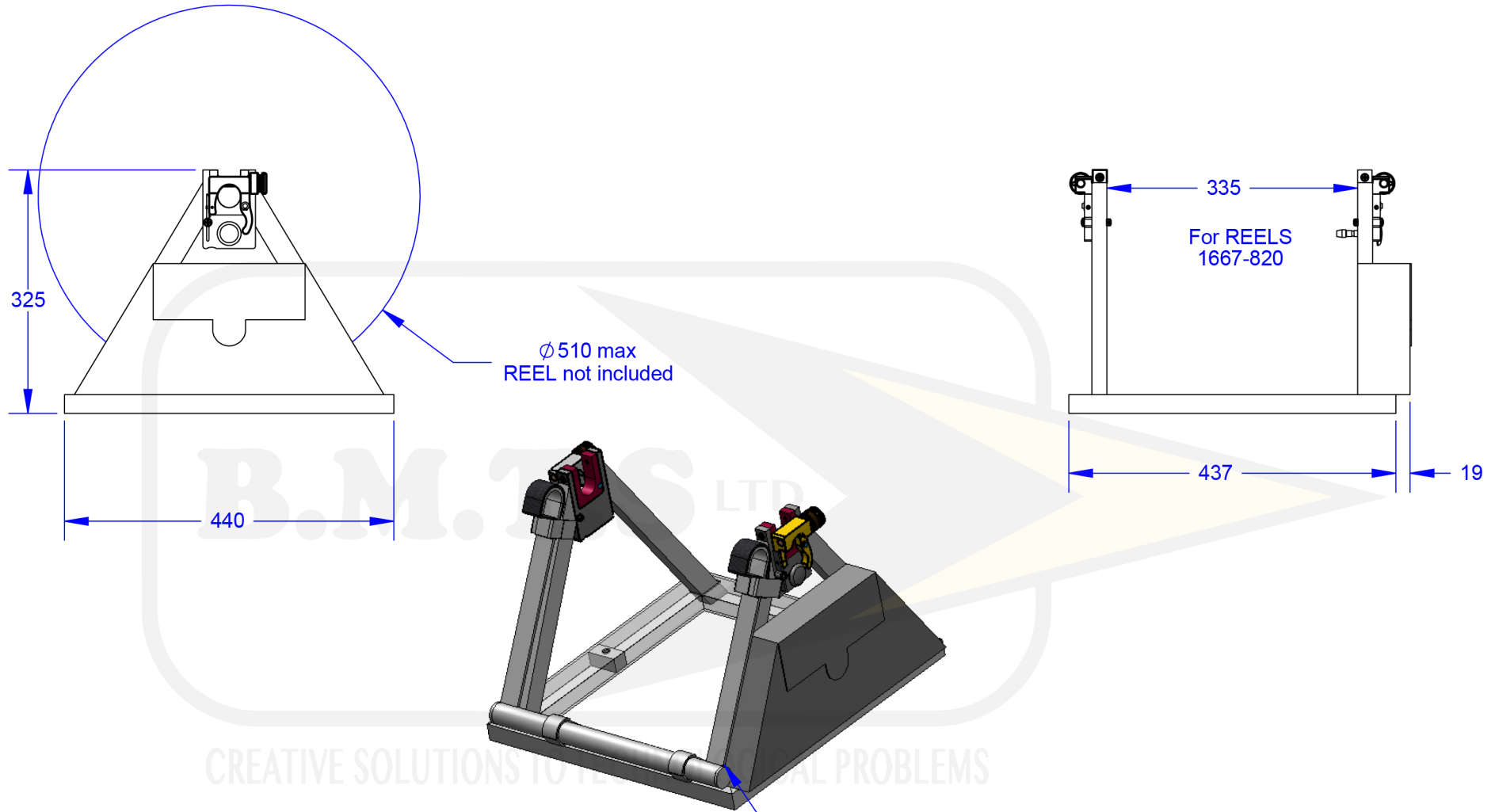


WINDING FRAME



Paint: Polyester epoxy

Winding Frame	P/N 520-60-510 (old P/N 1257-300)
Deploying Handle (optional)	P/N 1257-290-510
Deploying Handle (optional)	P/N 1257-290-460
Foldable Cranked Handle (optional)	P/N 611-00
Main Material	Aluminium
Weight (without Reel)	2.8 kg

Deploying Handle (optional)

B.M.T.S LTD
+972 3 - 6827796
fottads@bmtsltd.com
14 HaThiya St.
TEL - AVIV