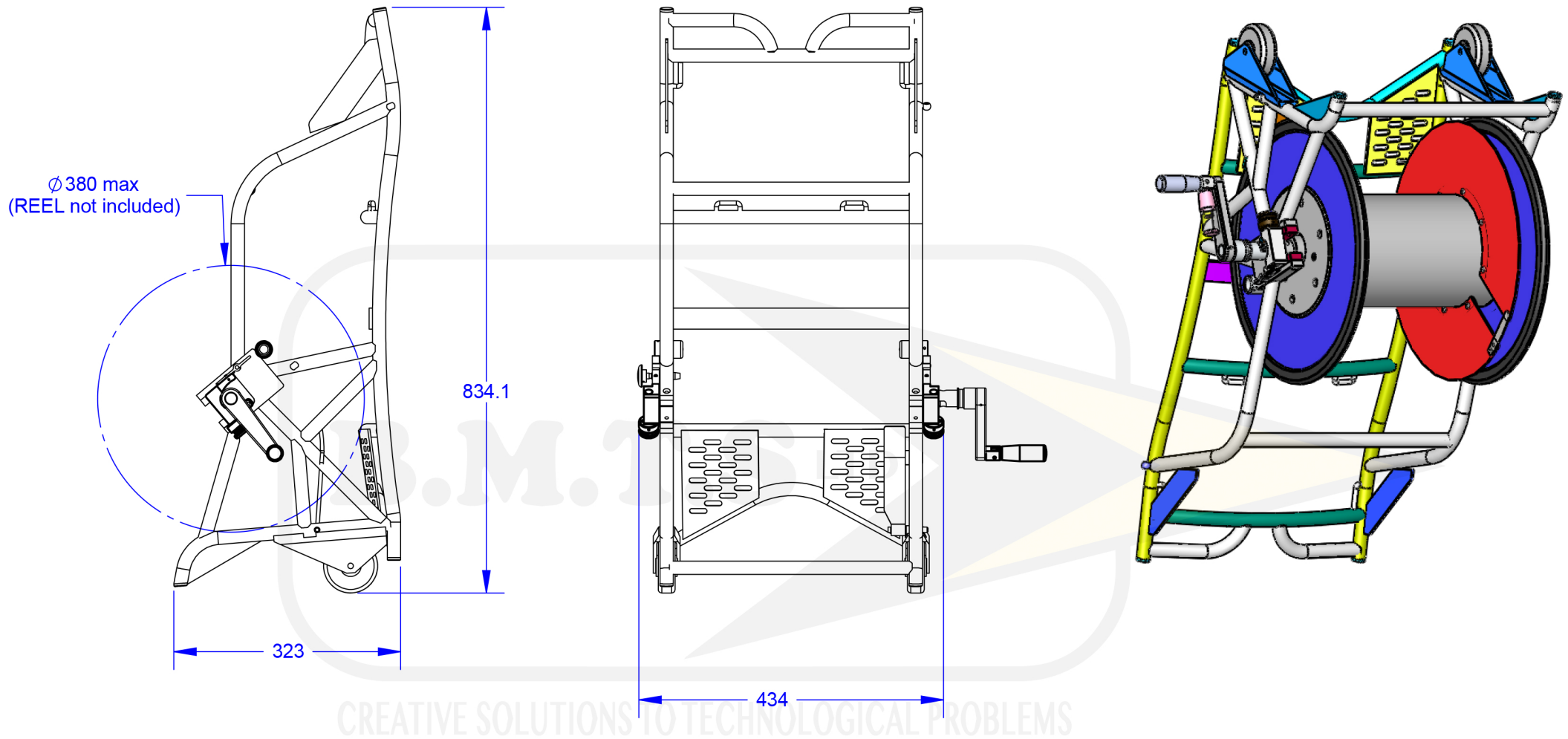


Back Pack



Paint: Polyester epoxy

Back Pack	P/N 1667-800-370
Foldadle Cranked Handle (included)	P/N 611-00
Main Material	Aluminium
Weight with textile accessories (without Reel)	6.08 kg

B.M.T.S LTD
+972 3 - 6827796
office@bmtsltd.com
14 HaThiya St.
TEL - AVIV