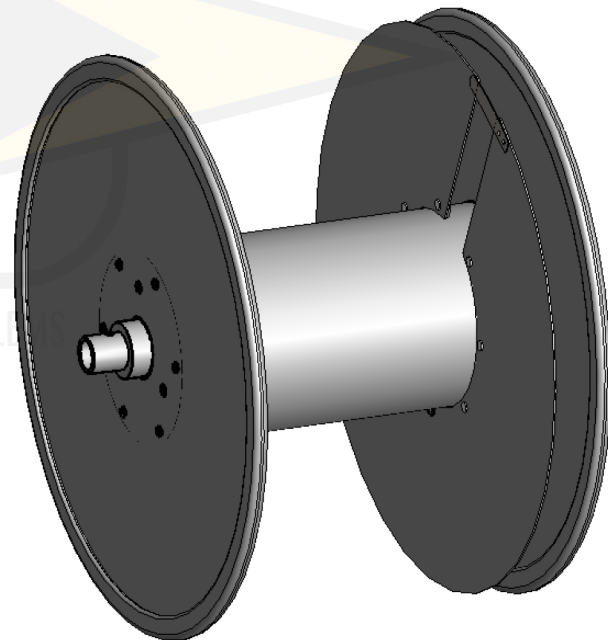
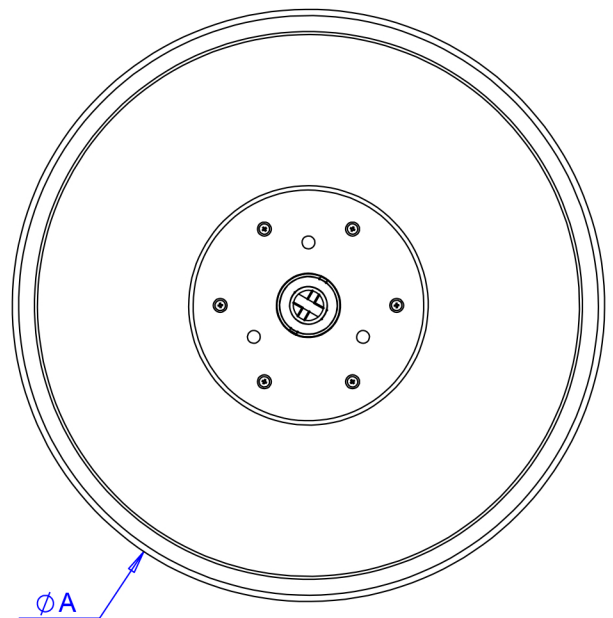
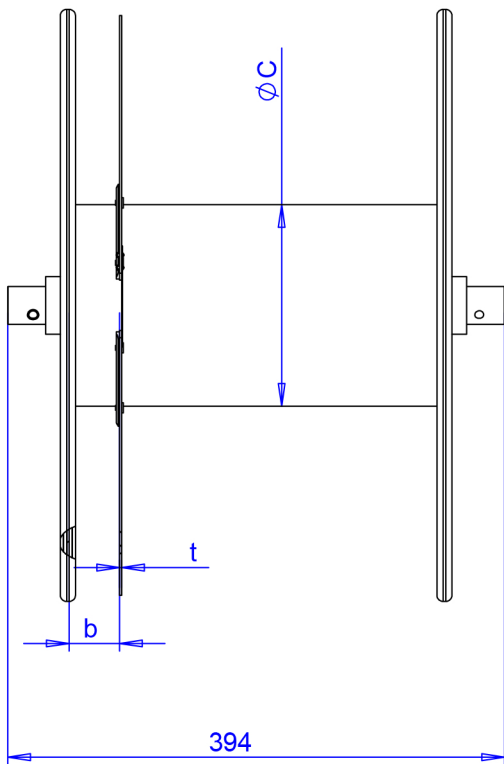


FIBER OPTIC REEL-SINGLE FLANGE



Paint: Polyester epoxy

* Width of connector department (b) can vary on demand

** Weight includes textile accessories

B.M.T.S LTD
+972 3 - 6827796
fottads@bmtsltd.com
14 HaThiya St.
TEL - AVIV

Product P/N	Diameter A	Diameter C	Flange Thickness t	*b	Weight	Cable Capacity [m]	Connector Strap (Qty.2)	Lifting&Protecting Blanket
	[mm]	[mm]	[mm]	[mm]	[kg]	Straight Lay	P/N	P/N
1667-820-310-160-40-1.6	320	160	1.6	40	3.27		1257-100-1170	1257-500-1170
1667-820-370-160-40-1.6	380	160	1.6	40	3.9	see file	1257-100-1230	1257-500-1380
1667-820-370-160-40-2	380	160	2	40	4.24	"calculation	1257-100-1230	1257-500-1380
1667-820-460-160-40-1.6	470	160	1.6	40	4.81	reel.exe"	1257-100-1370	1257-500-1550
1667-820-510-160-40-3	520	160	3	40	7.67		1257-100-1370	1257-500-1880