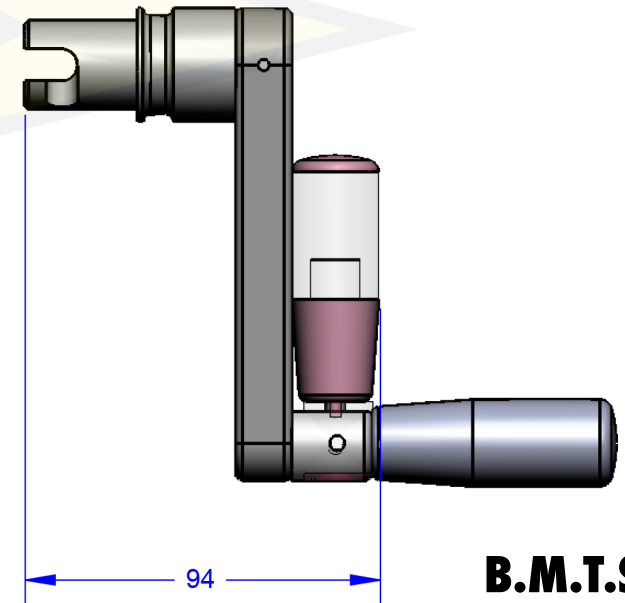
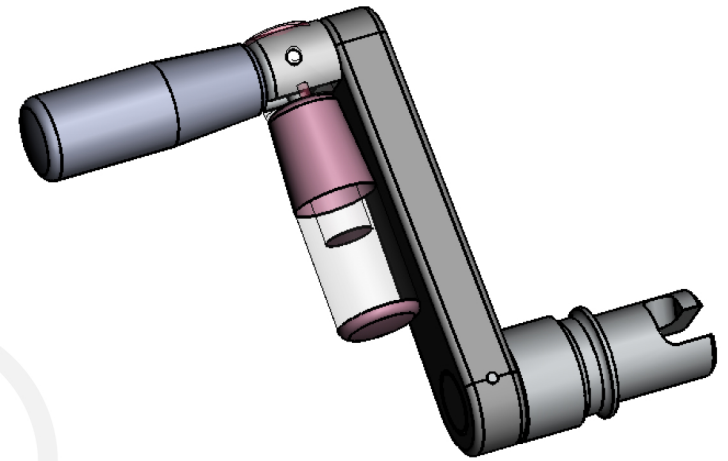
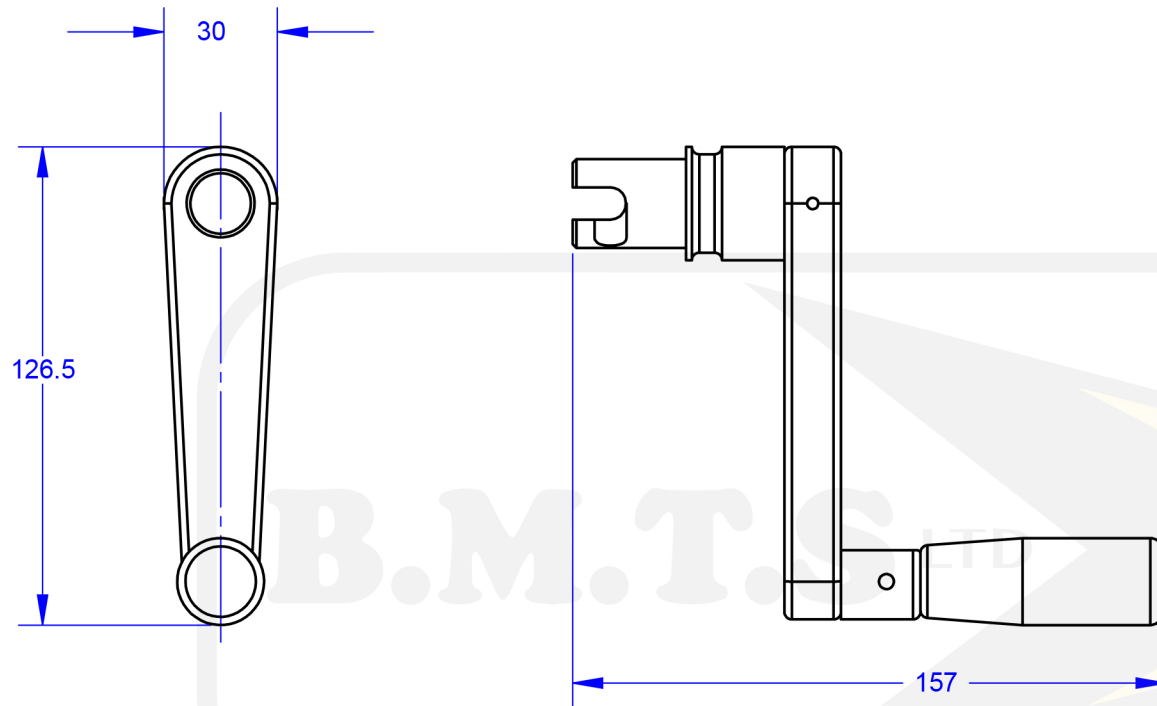


Foldadle Cranked Handle



Paint: Polyester epoxy

Foldadle Cranked Handle	P/N 611-00
Weight	0.22 kg
Main Material	Aluminum & Delrin

B.M.T.S LTD
+972 3 - 6827796
fottads@bmtsltd.com
14 HaThiya St.
TEL - AVIV