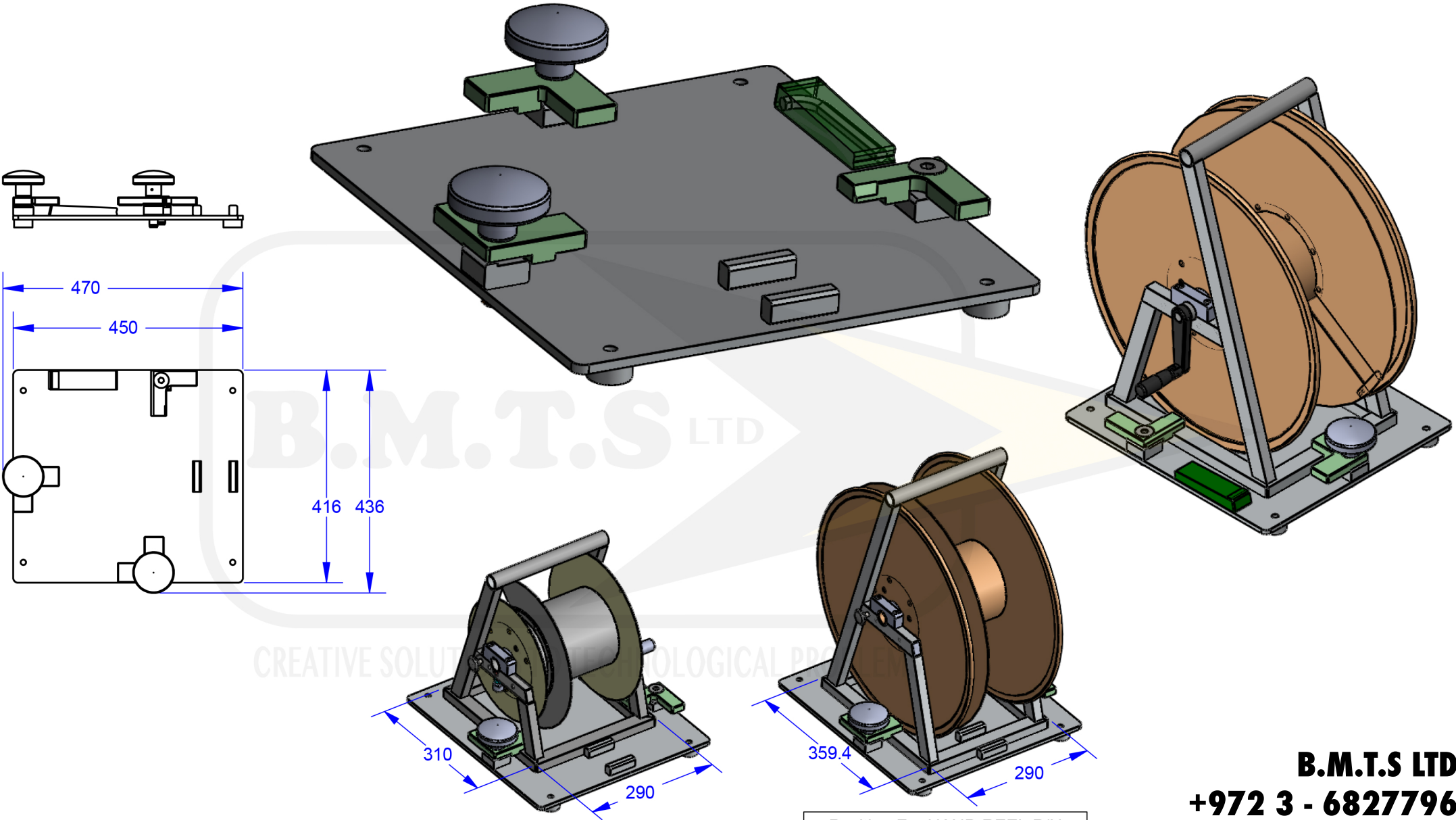


BASE PLATE



* CABEL REEL not included

Product P/N	3134-200
Main Material	Aluminium
Weight (without Reel)	5.35 kg

Position For HAND REEL P/N

666-310

Position For HAND REEL P/N

963-60-310-40
 963-60-370-40
 963-60-460-40
 963-60-510-40

B.M.T.S LTD
+972 3 - 6827796
fottads@bmtsltd.com
14 HaThiya St.
TEL - AVIV