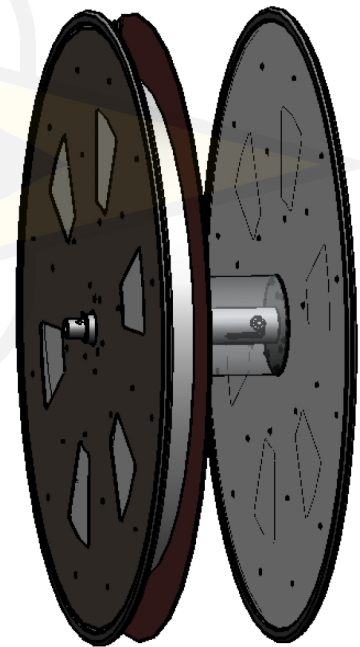
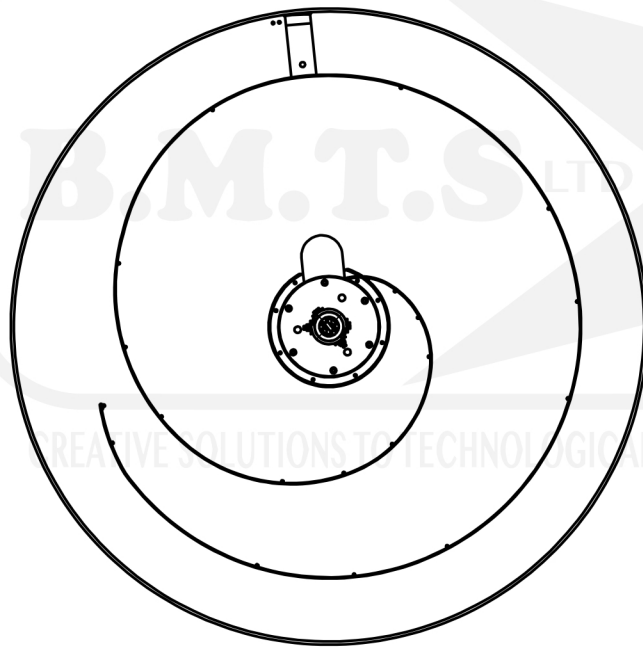
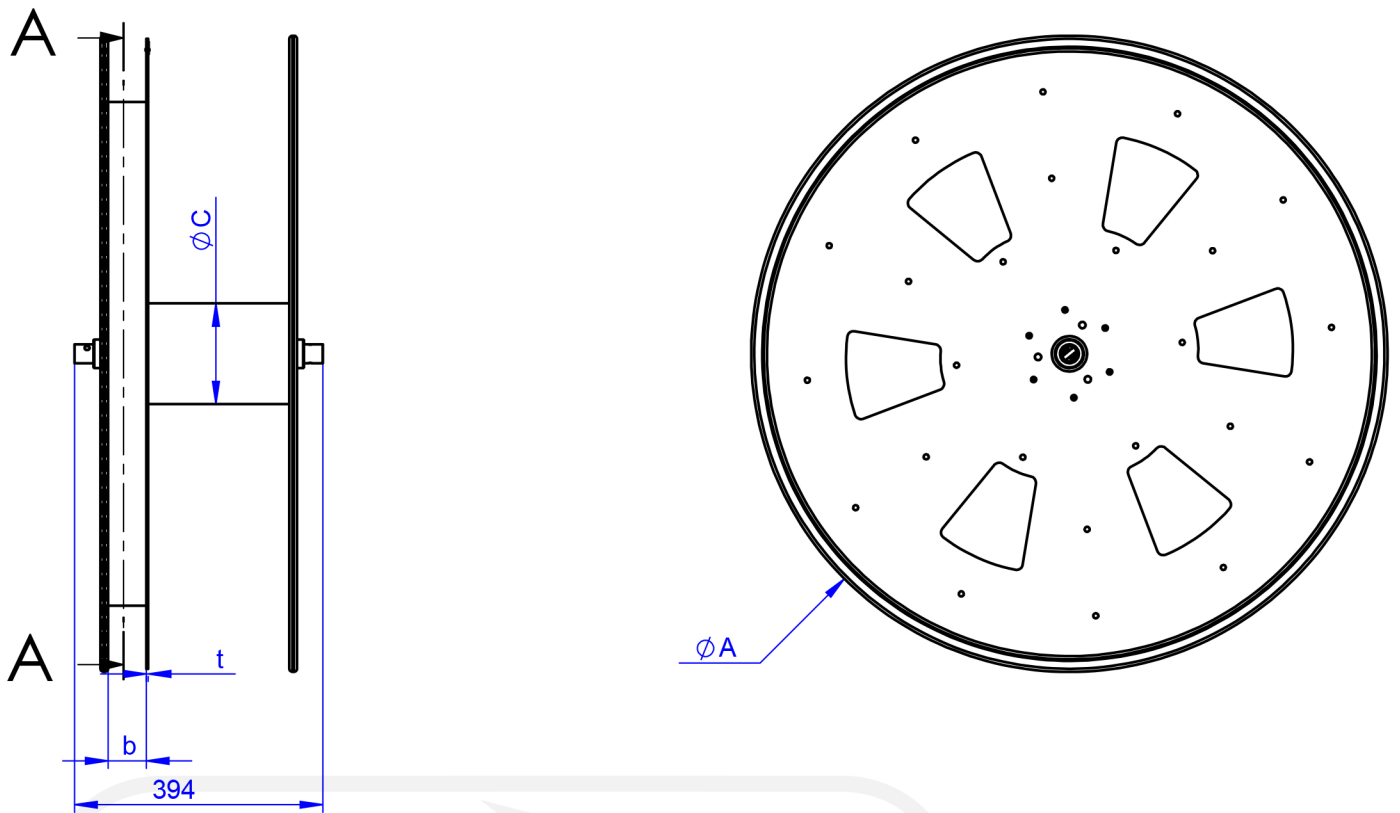


# FIBER OPTIC REEL-DOUBLE FLANGE



SECTION A-A  
SCALE 1 : 12

Cable Reel	Diameter A	Diameter C	Internal Flange Thickness t	External Flange Thickness s	*b	Weight	Cable Capacity [m]	Connector Strap (Qty.2)	Lifting & Protecting Blanket
P/N	[mm]	[mm]	[mm]	[mm]	[mm]	[kg]	Straight Lay	P/N	P/N
1667-820-1000-160-(b)-4.6-SP***	1010	160	3	4.6	65	29.2	see file "calculation reel.exe"	1257-100-3400	1257-200-220-3300

Paint: Polyester epoxy

\* Width of connector department (b) can vary on demand

\*\* Weight does not include textile accessories

\*\*\*Connector spiral (optional)

**B.M.T.S LTD**  
**+972 3 - 6827796**  
**fottads@bmtsltd.com**  
**14 HaThiya St.**  
**TEL - AVIV**